



Alfa Laval AQ10T

Gasketed plate-and-frame heat exchanger for HVAC applications

Introduction

Alfa Laval AlfaQ™ is AHRI Certified® through the Liquid to Liquid Heat Exchangers (LLHE) Certification Program which ensures thermal performance in accordance with the product specifications.

Designed for high throughput, this model delivers excellent thermal performance. A large selection of plate and gasket types is available.

Applications

- HVAC

Benefits

- Flexible configuration – heat transfer area can be modified
- Easy to install – compact design
- High serviceability – easy to open for inspection and cleaning and easy to clean by CIP
- Access to Alfa Laval's global service network

Features

Every detail is carefully designed to ensure optimal performance, maximum uptime and easy maintenance. Selection of available features:



- Five-point alignment system
- T-bar roller design
- CurveFlow™ distribution area
- PowerArc™
- ClipGrip™ gasket
- Offset gasket groove
- OmegaPort™
- Leak chamber
- Compact frame
- Bearing box
- Fixed bolt head
- Key hole bolt opening
- Lifting lug
- Lining
- Lock washer
- Tightening bolt cover



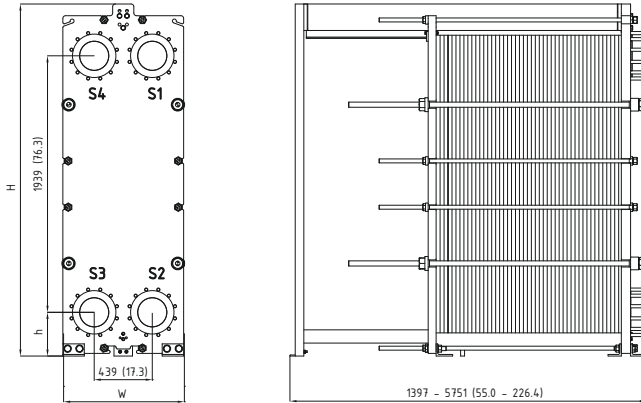
Alfa Laval 360° Service Portfolio

Our extensive service offering ensure top performance from your Alfa Laval equipment throughout its life cycle. The Alfa Laval 360 Service Portfolio include installation services, cleaning and repair as well as spare parts, technical documentation and trouble shooting. We also offer replacement, retrofit, monitoring and much more.

For information about our complete service offering and how to contact us - please visit www.alfalaval.com/service.

Dimensional drawing

Measurements mm (inches)



| Type | H | W | h |
|--------------------------|---------------|-------------|-------------|
| T25-FM pvcALS, PED | 2661 (104.8") | 913 (35.9") | 331 (13.0") |
| T25-FG pvcALS, ASME, PED | 2661 (104.8") | 913 (35.9") | 331 (13.0") |
| T25-FD pvcALS, PED | 2711 (106.7") | 913 (35.9") | 331 (13.0") |
| T25-FD ASME | 2711 (106.7") | 942 (37.1") | 331 (13.0") |
| T25-FS pvcALS | 2711 (106.7") | 913 (35.9") | 331 (13.0") |
| T25-FS ASME | 2711 (106.7") | 942 (37.1") | 331 (13.0") |

The number of tightening bolts may vary depending on pressure rating.

Technical data

| Plates | Type | Free channel, mm (inches) |
|---------|--------------|---------------------------|
| AQ10T-B | Single plate | 2.00 (0.079) |
| AQ10T-P | Single plate | 2.90 (0.114) |

Materials

| | |
|--------------------------|---|
| Heat transfer plates | 304/304L, 316/316L Ti |
| Field gaskets | NBR, EPDM |
| Flange connections | Metal lined: stainless steel, Alloy 254, titanium |
| Frame and pressure plate | Carbon steel, epoxy painted |

Other materials may be available on request.

All option combinations may not be configurable.

Operational data

| Frame, PV-code | Max. design pressure (barg/psig) | Max. design temperature (°C/°F) |
|----------------|----------------------------------|---------------------------------|
| FM, pvcALS | 10.3/150 | 180/356 |
| FM, PED | 11.5/188 | 180/356 |
| FG, pvcALS | 16.0/232 | 180/356 |
| FG, ASME | 10.4/151 | 250/482 |
| FG, PED | 16.0/232 | 150/302 |
| FD, pvcALS | 25.0/363 | 180/356 |
| FD, ASME | 20.7/300 | 250/482 |
| FD, PED | 25.0/362 | 180/356 |
| FS, pvcALS | 30.0/434 | 180/356 |
| FS, ASME | 27.6/400 | 250/482 |

Extended pressure and temperature rating may be available on request.

Flange connections

| Frame model | Connection standard |
|---|---|
| FM, pvcALS | EN 1092-1 DN200 PN10 |
| | EN 1092-1 DN250 PN10 |
| | ASME B16.5 Class 150 NPS 8 |
| | ASME B16.5 Class 150 NPS 10 |
| | JIS B2220 10K 200A JIS B2220 10K 250A |
| FM, PED | EN 1092-1 DN200 PN10 |
| | EN 1092-1 DN250 PN10 |
| | ASME B16.5 Class 150 NPS 8 ASME B16.5 Class 150 NPS 10 |
| FG, pvcALS | EN 1092-1 DN200 PN16 |
| | EN 1092-1 DN250 PN16 |
| | ASME B16.5 Class 150 NPS 8 |
| | ASME B16.5 Class 150 NPS 10 |
| | JIS B2220 10K 200A JIS B2220 10K 250A JIS B2220 16K 200A/250A |
| FG, ASME | ASME B16.5 Class150 NPS 8 ASME B16.5 Class150 NPS 10 |
| | FG, PED |
| EN 1092-1 DN250 PN16 | |
| ASME B16.5 Class 150 NPS 8 ASME B16.5 Class 150 NPS 10 | |
| FD, pvcALS | EN 1092-1 DN200 PN25 |
| | EN 1092-1 DN250 PN25 |
| | ASME B16.5 Class 300 NPS 8 |
| | ASME B16.5 Class 300 NPS 10 |
| | JIS B2220 20K 200A JIS B2220 20K 250A |
| FD, ASME | ASME B16.5 Class 300 NPS 8 ASME B16.5 Class 300 NPS 10 |
| | FD, PED |
| EN 1092-1 DN250 PN25 | |
| ASME B16.5 Class 300 NPS 8 ASME B16.5 Class 300 NPS 10 | |
| FS, pvcALS | EN 1092-1 DN200 PN40 |
| | EN 1092-1 DN250 PN40 |
| | ASME B16.5 Class 400 NPS 8 |
| | ASME B16.5 Class 400 NPS 10 |
| FS, ASME | JIS B2220 30K 200A JIS B2220 30K 250A |
| | ASME B16.5 Class 300 NPS 8 |
| | ASME B16.5 Class 300 NPS 10 |

Standard EN1092-1 corresponds to GOST 12815-80 and GB/T 9115.

Certificates



This document and its contents are subject to copyrights and other intellectual property rights owned by Alfa Laval Corporate AB. No part of this document may be copied, re-produced or transmitted in any form or by any means, or for any purpose, without Alfa Laval Corporate AB's prior express written permission. Information and services provided in this document are made as a benefit and service to the user, and no representations or warranties are made about the accuracy or suitability of this information and these services for any purpose. All rights are reserved.

200000142-3-EN-GB

© Alfa Laval Corporate AB

How to contact Alfa Laval

Up-to-date Alfa Laval contact details for all countries are always available on our website at www.alfalaval.com